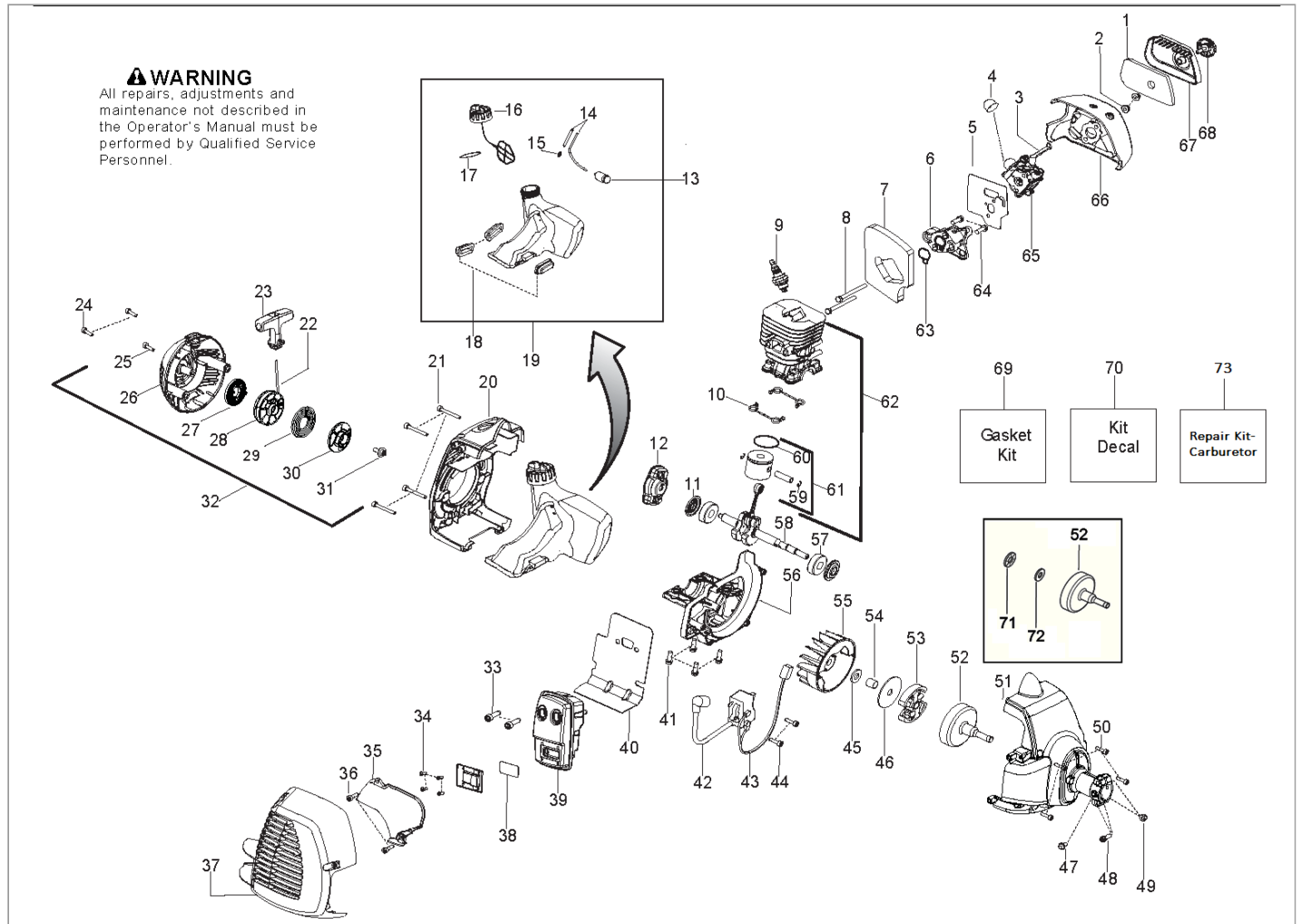


# Product Catalog: /128LD

## ENGINE



| Ref. | Article N. | Description   | Qty | Kit |
|------|------------|---|-----|-----|
| 1    | 530150253  | AIR FILTER  | 1   | -   |
| 2    | 530016101  | NUT   | 1   | -   |
| 3    | 530057844  | LEVER<br><i>Fits Zama Carburetor, 4.3mm Shaft Hole</i>        | 1   | -   |
| 3    | 595015001  | CHOKE LEVER<br><i>Fits Ruixing Carburetor, 5mm shaft Hole</i> | 1   | -   |
| 4    | 530058709  | BULB  | 1   | -   |
| 5    | 545008084  | GASKET KIT  | 1   | -   |
| 6    | 530035596  | ADAPTER   | 1   | -   |
| 7    | 545008084  | GASKET KIT  | 1   | -   |
| 8    | 530016400  | BOLT  | 1   | -   |
| 9    | 952030201  | SPARK PLUG  | 1   | -   |
| 10   | 545008084  | GASKET KIT  | 1   | -   |

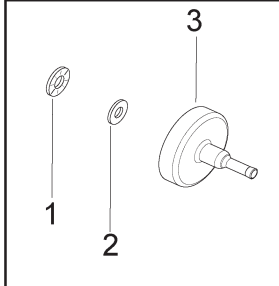
| Ref. | Article N. | Description                              | Qty | Kit |
|------|------------|--|-----|-----|
| 11   | 545008084  | GASKET KIT                               | 1   | -   |
| 12   | 503873305  | STARTER PAWL                             | 1   | -   |
| 13   | 577167201  | FUEL FILTER                              | 1   | -   |
| 14   | 530069599  | HOSE                                     | 1   | -   |
| 15   | 530023877  | NIPPLE                                   | 1   | -   |
| 16   | 530150350  | TANK                                     | 1   | -   |
| 17   | 545008084  | GASKET KIT                               | 1   | -   |
| 18   | 530059780  | INSULATOR                                | 1   | -   |
| 19   | 545180870  | KIT-FUEL TANK ASSY.                      | 1   | -   |
| 20   | 576153201  | SHROUD                                   | 1   | -   |
| 21   | 530016448  | SCREW                                    | 1   | -   |
| 22   | 545008079  | KIT-ROPE                                 | 1   | -   |
| 23   | 545043204  | STARTER HANDLE                           | 1   | -   |
| 24   | 530016426  | SCREW                                    | 1   | -   |
| 25   | 530016449  | SCREW                                    | 1   | -   |
| 26   | 525455501  | HOUSING                                  | 1   | -   |
| 27   | 545008087  | SPRING                                   | 1   | -   |
| 28   | 585530301  | STARTER PULLEY                           | 1   | -   |
| 29   | 578465101  | SPRING                                   | 1   | -   |
| 30   | 579366201  | PULLEY                                   | 1   | -   |
| 31   | 530016468  | SCREW                                    | 1   | -   |
| 32   | 579063101  | STARTER HOUSING                          | 1   | -   |
| 33   | 530058982  | BOLT                                     | 1   | -   |
| 34   | 530015241  | SCREW                                    | 1   | -   |
| 35   | 530150440  | PROTECTION                               | 1   | -   |
| 36   | 530016449  | SCREW                                    | 1   | -   |
| 37   | 576215001  | KIT                                      | 1   | -   |
| 38   | 545030501  | SCREEN                                   | 1   | -   |
| 39   | 574031502  | KIT<br><i>MUFFLER ID CODE 044801007C</i> | 1   | -   |
| 40   | 545008084  | GASKET KIT                               | 1   | -   |
| 41   | 530015897  | SCREW                                    | 1   | -   |
| 42   | 545046701  | IGNITION MODULE                          | 1   | -   |
| 43   | 530039227  | SHORTING LEAD                            | 1   | -   |
| 44   | 530016456  | SCREW                                    | 1   | -   |
| 45   | 530016463  | WASHER                                   | 1   | -   |
| 46   | 530094189  | WASHER                                   | 1   | -   |
| 47   | 530015805  | SCREW                                    | 1   | -   |
| 48   | 530015774  | SCREW                                    | 1   | -   |
| 49   | 530015768  | NUT                                      | 1   | -   |
| 50   | 530016456  | SCREW                                    | 1   | -   |
| 51   | 545205201  | FAN HOUSING                              | 1   | -   |

| Ref. | Article N. | Description                               | Qty | Kit |
|------|------------|---|-----|-----|
| 52   | 530150039  | CLUTCH DRUM<br><i>S/N = 2012-090N</i>     | 1   | -   |
| 52   | 580446601  | KIT<br><i>S/N = 2012-091N</i>             | 1   | -   |
| 53   | 530055122  | CLUTCH ASSY                               | 1   | -   |
| 54   | 530057852  | RING                                      | 1   | -   |
| 55   | 530039242  | FLYWHEEL                                  | 1   | -   |
| 56   | 577929502  | CRANKCASE                                 | 1   | -   |
| 57   | 545013401  | BEARING                                   | 1   | -   |
| 58   | 585415402  | CRANKSHAFT<br><i>S/N = 2012-021N</i>      | 1   | -   |
| 58   | 585415401  | CRANKSHAFT<br><i>S/N = 2012-020N</i>      | 1   | -   |
| 59   | 530015162  | CIRCLIP                                   | 1   | -   |
| 60   | 575227901  | RING                                      | 1   | -   |
| 61   | 545081814  | PISTON                                    | 1   | -   |
| 62   | 545008083  | CYLINDER ASSY                             | 1   | -   |
| 63   | 545008084  | GASKET KIT                                | 1   | -   |
| 64   | 530015897  | SCREW                                     | 1   | -   |
| 65   | 545081848  | CARBURETTOR KIT                           | 1   | -   |
| 66   | 576459001  | BASE                                      | 1   | -   |
| 67   | 530057846  | COVER                                     | 1   | -   |
| 68   | 530059796  | KNOB ASSY AIRBOX COVER                    | 1   | -   |
| 69   | 545008084  | GASKET KIT                                | 1   | -   |
| 70   | 545003352  | KIT                                       | 1   | -   |
| 71   | 545173401  | BEARING<br><i>S/N = 2012-090N</i>         | 1   | -   |
| 72   | 530016420  | WASHER - THRUST<br><i>S/N = 2012-090N</i> | 1   | -   |
| 73   | 504811801  | GASKET KIT<br><i>ZAMA CARBURETOR</i>      | 1   | -   |
| 73   | 599604201  | SERVICE KIT<br><i>RUIXING CARBURETOR</i>  | 1   | -   |

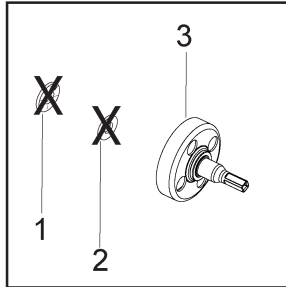
# SERVICE REFERENCE

\*\*\*\*\* Service Reference \*\*\*\*\*

Note : Due to product improvements, your unit may have a different clutch drum assembly.  
Please refer to the serial number on your unit and order the parts below.



Serial Number - 2012-090N and lower, please use the following parts:  
 Ref.# 1 - 545173401 - Thrust Bearing  
 Ref.# 2 - 530016420 - Thrust Washer  
 Ref.# 3 - 530150039 - Assy. - Clutch Drum

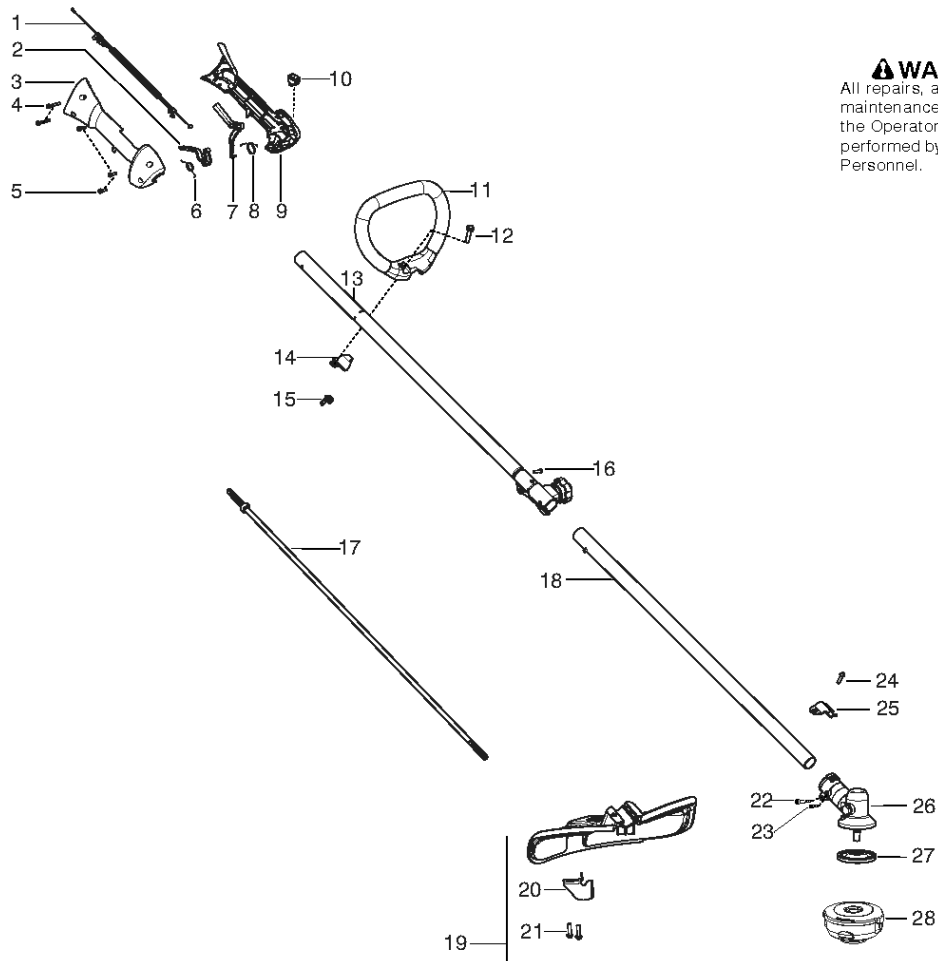


Serial Number - 2012-091N and higher, please use the following parts:  
 Ref.# 1 - Thrust Bearing is NOT REQUIRED  
 Ref.# 2 - Thrust Washer is NOT REQUIRED  
 Ref.# 3 - 580446601 - Kit - Clutch Drum

| Ref. | Article N. | Description  | Qty | Kit |
|------|------------|--|-----|-----|
| 1    | 545173401  | BEARING  | 1   | -   |
| 2    | 530016420  | WASHER - THRUST                                      | 1   | -   |
| 3    | 530150039  | CLUTCH DRUM<br><i>S/N 2012-090N AND LOWER</i>        | 1   | -   |
| 3    | 580446601  | KIT<br><i>CLUTCH DRUM - S/N 2012-091N AND HIGHER</i> | 1   | -   |

# SHAFT & HANDLE

For 2009 up to  
2010



## WARNING

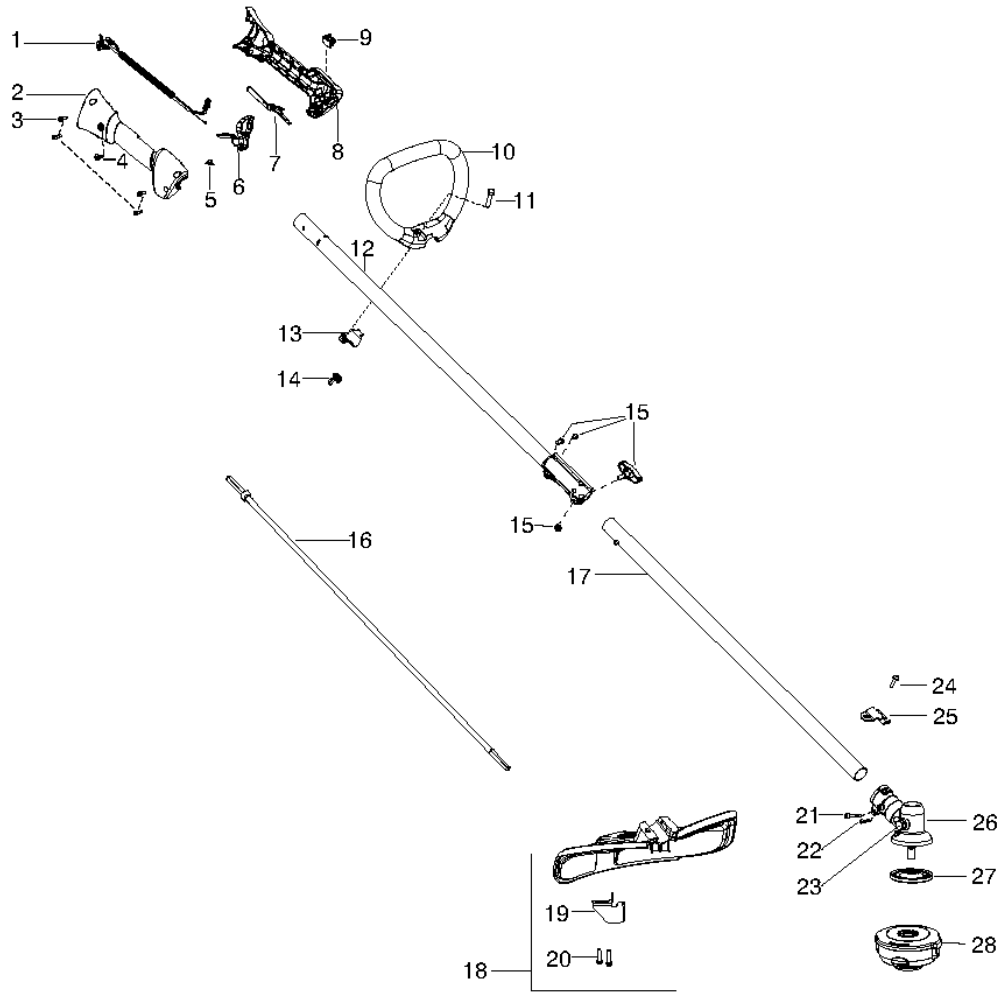
All repairs, adjustments and maintenance not described in the Operator's Manual must be performed by Qualified Service Personnel.

| Ref. | Article N. | Description               | Qty | Kit |
|------|------------|---------------------------|-----|-----|
| 1    | 545125301  | WIRE                      | 1   | -   |
| 2    | 545066001  | TRIGGER                   | 1   | -   |
| 3    | 545062001  | HANDLE                    | 1   | -   |
| 4    | 530016448  | SCREW                     | 1   | -   |
| 5    | 530016449  | SCREW                     | 1   | -   |
| 6    | 530016454  | RETURN SPRING             | 1   | -   |
| 7    | 530059804  | THROTTLE LOCK             | 1   | -   |
| 8    | 545045601  | RETURN SPRING             | 1   | -   |
| 9    | 545067001  | HANDLE                    | 1   | -   |
| 10   | 545030601  | KIT                       | 1   | -   |
| 11   | 545042201  | HANDLE                    | 1   | -   |
| 12   | 530015820  | SCREW                     | 1   | -   |
| 13   | 545003370  | KIT DRIVE SHAFT W/COUPLER | 1   | -   |

| Ref. | Article N. | Description             | Qty | Kit |
|------|------------|-------------------------|-----|-----|
| 14   | 530059185  | CLAMP                   | 1   | -   |
| 15   | 530016152  | WING NUT                | 1   | -   |
| 16   | 530016344  | SCREW                   | 1   | -   |
| 17   | 545132002  | SHAFT FLEXIBLE          | 1   | -   |
| 18   | 545180848  | KIT DRIVESHAFT LOWER LD | 1   | -   |
| 19   | 545030901  | COMBINATION GUARD       | 1   | -   |
| 20   | 530052286  | LINE                    | 1   | -   |
| 21   | 530015814  | SCREW                   | 1   | -   |
| 22   | 530016014  | SCREW                   | 1   | -   |
| 23   | 530016301  | SCREW                   | 1   | -   |
| 24   | 530015771  | SCREW                   | 1   | -   |
| 25   | 530057554  | BRACKET                 | 1   | -   |
| 26   | 530096295  | BEVEL GEAR              | 1   | -   |
| 27   | 537234901  | DRIVER ASSY             | 1   | -   |
| 28   | 537338306  | TRIMMER HEAD            | 1   | -   |

# SHAFT & HANDLE

From 2010



## ⚠ WARNING

All repairs, adjustments and maintenance not described in the Operator's Manual must be performed by Qualified Service Personnel.

| Ref. | Article N. | Description   | Qty | Kit |
|------|------------|---|-----|-----|
| 1    | 576139401  | ASSEMBLY<br>2010-72N AND LOWER, SEE SERVICE REFERENCE | 1   | -   |
| 2    | 545223001  | THROTTLE<br>2010-72N AND LOWER, SEE SERVICE REFERENCE | 1   | -   |
| 3    | 530016449  | SCREW<br>2010-72N AND LOWER, SEE SERVICE REFERENCE    | 1   | -   |
| 4    | 530015805  | SCREW<br>2010-72N AND LOWER, SEE SERVICE REFERENCE    | 1   | -   |
| 5    | 530016454  | RETURN SPRING   | 1   | -   |
| 6    | 574355301  | TRIGGER<br>2010-72N AND LOWER, SEE SERVICE REFERENCE  | 1   | -   |
| 7    | 574355401  | THROTTLE<br>2010-72N AND LOWER, SEE SERVICE REFERENCE | 1   | -   |
| 8    | 545223201  | HOUSING<br>2010-72N AND LOWER, SEE SERVICE REFERENCE  | 1   | -   |

| Ref. | Article N. | Description  | Qty | Kit |
|------|------------|--|-----|-----|
| 9    | 545049309  | SWITCH MOMENTARY<br><i>2010-72N AND LOWER, SEE SERVICE REFERENCE</i> | 1   | -   |
| 10   | 545042201  | HANDLE   | 1   | -   |
| 11   | 530015820  | SCREW  | 1   | -   |
| 12   | 575261201  | KIT<br><i>UPPER DRIVESHAFT</i>                                       | 1   | -   |
| 13   | 530059185  | CLAMP  | 1   | -   |
| 14   | 530016152  | WING NUT   | 1   | -   |
| 15   | 575291801  | KIT  | 1   | -   |
| 16   | 545132002  | SHAFT FLEXIBLE   | 1   | -   |
| 17   | 545180848  | KIT DRIVESHAFT LOWER LD<br><i>LOWER DRIVESHAFT</i>                   | 1   | -   |
| 18   | 545030901  | COMBINATION GUARD  | 1   | -   |
| 19   | 530052286  | LINE   | 1   | -   |
| 20   | 530015814  | SCREW  | 1   | -   |
| 21   | 530016014  | SCREW  | 1   | -   |
| 22   | 530016301  | SCREW  | 1   | -   |
| 23   | 575724601  | PLUG   | 1   | -   |
| 24   | 530015771  | SCREW  | 1   | -   |
| 25   | 530057554  | BRACKET<br><i>SHIELD BRACKET</i>                                     | 1   | -   |
| 26   | 530096295  | BEVEL GEAR   | 1   | -   |
| 27   | 537234901  | DRIVER ASSY<br><i>For 952711953</i>                                  | 1   | -   |
| 28   | 537338306  | TRIMMER HEAD   | 1   | -   |